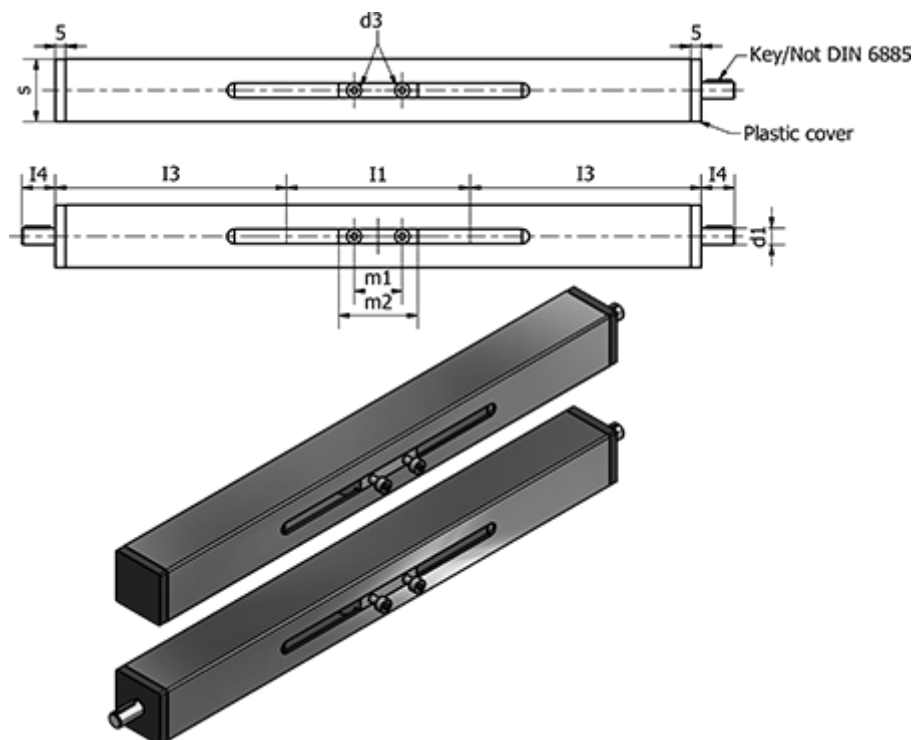


Article number: 20291140320R1SCR

Description: E+G Linear actuators - GN 291.1-40-320-R1-SCR

## Measures



$d_1 f_7 = 12$

$d_2 = M5$

$I_1 = 320$

$I_2 = I_2 + 240$

$I_3 = 120$

$I_4 = 17$

$m_1 = 42$

$m_2 = 54$

Max. travel = 1570

$s = 40$

Shaft key DIN 6885 = A4x4x12

Shaft thread = TR20x4